

Catalog Number	
Notes	Type



Oval Exit

SOLO

LED LAMPS



FEATURES & SPECIFICATIONS

INTENDED USE — Suitable for architectural applications where aesthetics, premium finishes and superior performance are required.

CONSTRUCTION — High-polish, injection-molded virgin acrylic panel, ultrasonically welded to eliminate visible hardware. Optically engineered design provides uniform light distribution on graphics. Die-cast housings are powder-coat finishes. Standard housing finish is nickel.

Letter size — 6" high, 3/4" stroke, graphically enhanced text with mirror background. Chevron indicator direction must be specified.

Recessed rough-in section constructed of 20-gauge, die-formed galvanized steel.

Die-cast aluminum housing and canopy attaches onto wall or ceiling mounted rough-in section.

LAMPS — White LEDs mounted on printed circuit board. Rated LED life up to 25 years.

Low energy consumption — less than 5-watts.

BATTERY OPTION — Emergency models provided with maintenance-free, sealed nickel-cadmium battery provides 90 minutes of emergency power. Polarized battery connector simplifies installation and maintenance; prevents charger damage due to improper connection.

ELECTRONICS (Battery option only) — Two-state constant-current charger maximizes battery life and auto-matically recharges after battery discharge. Self-diagnostic evaluation of LED light source, AC to DC transfer, charging and battery condition.

Solid-state electronic elements to eliminate risk of electromechanical failures. Single-point microcomputer control for all electronic features.

Crystal oscillator timing system with watchdog protection for precision accuracy. AC/LVD reset allows battery connection before AC power is applied at installation.

Brownout protection is automatically switched to emergency mode when supply voltage drops below 80% of nominal.

Single multi-chromatic LED indicator to display two-state charging, test activation and three-state diagnostic status.

Test switch provides manual activation of 30-second diagnostic testing for on-demand visual inspection.

Self-diagnostic testing for five minutes every 30 days and 30 minutes every six months.

Continuously monitors AC functionality.

Surge protection meets ANSI/IEEE C62.41 category B and IEC 1000 immunity standards for high voltage surges, electrostatic discharges, high frequency electrical fast transients and line voltage dips/swells.

INSTALLATION — Recessed mount — universal rough-in section for back, ceiling or end mounting. Fits into minimum wall or ceiling opening 13-5/8" L x 4-1/2" W x 3-1/8" D.

Adjustable T-bar hangers adapt mounting tray for mounting in suspended ceilings or variable-size framed openings. Trim ring has 7/8" variable depth adjustment to ensure flush fit against surface of wall or ceiling. Rough-in opening measures 5-3/8" L x 3-1/8" W.

End mounting requires accessory kit (ELA SOLOEMK) to provide attachment provisions

Fully concealed canopy mounting hardware on ceiling and wall mount

LISTING — UL damp location listed (10° to 40°C). Meets UL 924, NFPA 101 (current Life Safety Code), NEC and OSHA illumination standards

WARRANTY — Five-year on exit, including light source.

ORDERING INFORMATION

Lead times will vary depending on options selected. Consult with your sales representative.

Example: SOLO W 1 RMR LA SD

SOLO

Family	Housing color ¹	Number of faces	Letters/background	Directional indicators	Options
SOLO Oval exit	(blank) Nickel W White B Black BZ Bronze	1 Single face 2 Double face	RMR Red on mirror GMR Green on mirror	(blank) None LA Left RA Right LRA Left and right DA Double face	(blank) AC only X2 Provides primary and secondary AC only ² FI Fire alarm interface with AC-only SD Nicad battery with self diagnostic SDFIFA Fire alarm interface/flashing/audible flashing with self diagnostics PNL Panel assembly only (must order rough-in section separately)

Accessories

Order as separate items.

ELA SOLORIS	Rough-in section. Supplied standard with exits unless PNL suffix is specified. Order ELA SOLORIS only if needed for early installation.
ELA SOLOEMK	End-mount accessory kit required for end mounting. Must specify color to match panel; e.g. ELA W SOLOEMK.

NOTES:

- Die-cast housings are powder-coat finishes.
- UL listed as emergency lighting equipment.

SOLO Oval Exit

SPECIFICATIONS

ELECTRICAL

Primary Circuit

Type	Rated LED life ¹	Supply voltage	Input watts	Max. amps
LED AC only	25+ years	120	1.4	0.1
		277	1.3	0.1
LED emergency	25+ years	120	1.7	0.1
		277	1.6	0.1

*Based on continuous operation.

BATTERY (included with SD option)

Sealed Nickel-Cadmium

Shelf life ¹	Expected life ¹	Maintenance	Optimum temperature ²
3 yrs.	7-9 yrs	none ³	32° - 100°F (16° - 32°C)

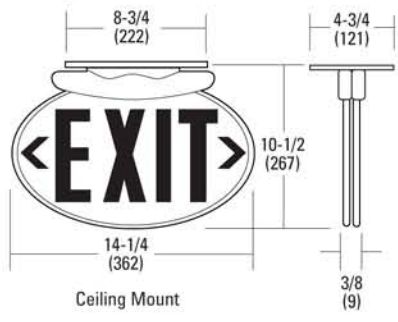
NOTES:

- 1 At 77°F (25°C).
- 2 Optimum ambient temperature range where until will provide capacity for 90 minutes. Higher and lower temperatures affect life and capacity. Consult factory for detailed information.
- 3 Periodic system status test recommended.

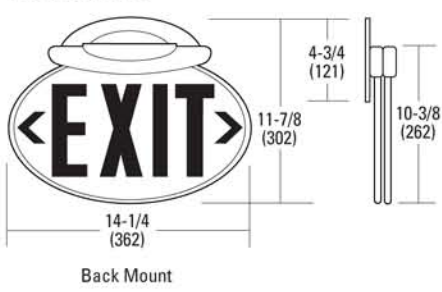
MOUNTING

All dimensions are inches (millimeters).
Shipping weight: 8.7 lbs. (3.9 kg)

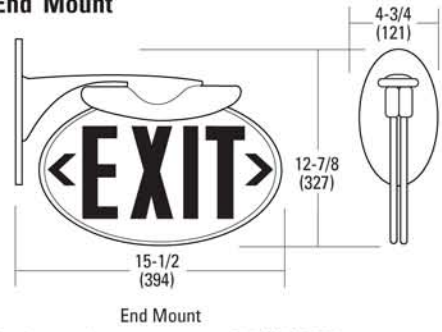
Ceiling Mount



Back Mount



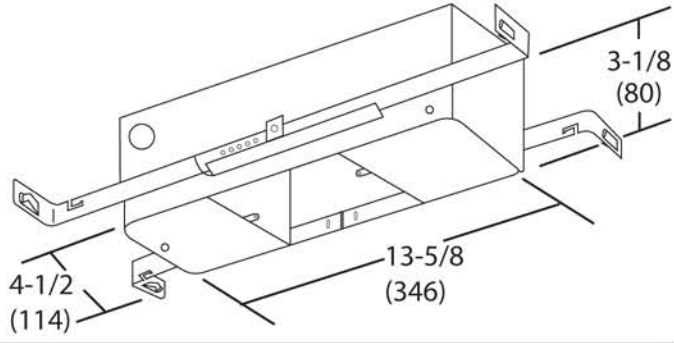
End Mount



Requires end mount accessory ELA SOLOEMK.

Rough-in Section

May be ordered as an accessory (ELA SOLORIS) for early installation.



Directional Indicators

Specification (add to catalog number)	Graphics	
	Back	Front
LA		
RA		
LRA (single face)		
LRA (double face)		
DA		

Self Diagnostics (SD option only)

Five-minute test every 30 days.
30-minute test every six months.
Diagnostics evaluate the battery, lamp, charger and AC-to-DC transfer.

Condition	Indication
Normal mode	Steady green
Self-testing mode	Flashing green
Emergency mode	Off
High-charge	Steady red
Battery failure	Single-flash red
Lamp failure	Double-flash red
Circuit failure	Triple-flash red